

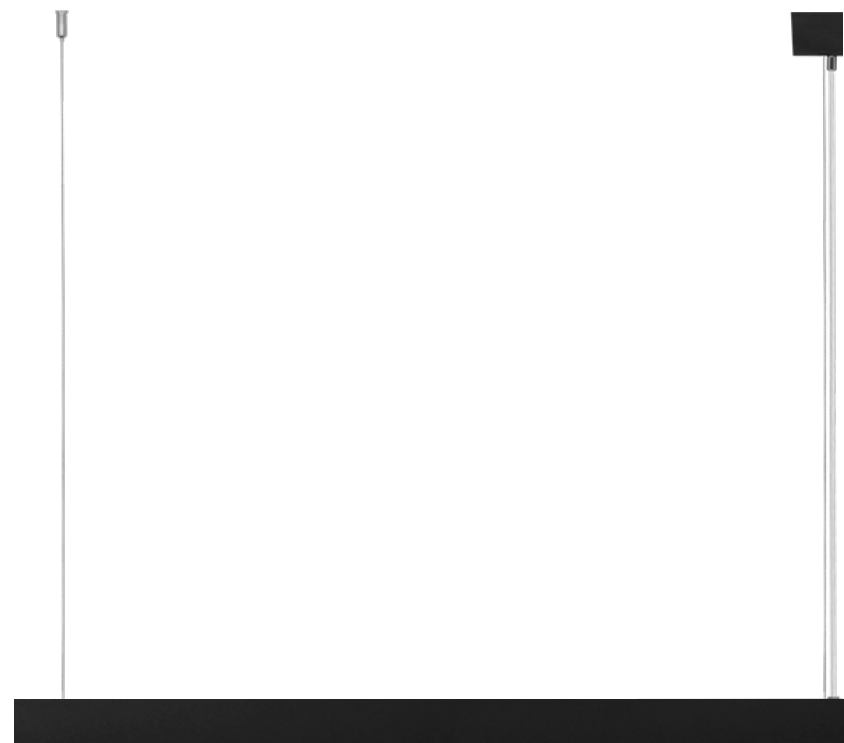


Baris LED



DESIGN: Michał Jaraczewski / MANUFACTURED IN: Poland

The Baris family consists of luminaires of classic proportions and modern design. These are multi-purpose luminaires characterised by high aesthetics and excellent lighting parameters. Their orderly design will fit perfectly into any minimalistic space.





— Design

Baris is a modern luminaire. Its rectangular form is classic and it fits into any interior.

I was looking for innovation. I wanted Designers to reach for this luminaire eagerly and return to it in subsequent investments. A lot is happening here. You can order a five-meter luminaire made of one piece of aluminium, or adjust its length every 14 cm. Mount it on the surface, suspend it or hide it in the ceiling. Choose any colour of light and decide for different optics. And with this luminaire, this is just the beginning.

Baris is a modular system which, like an app, will change thanks to its customers.

Michał Jaraczewski / Designer

v d

l u

e s

01 / 04 — **Passion and professionalism**

Our company was born out of fascination with light. For 32 years of running our business, we have gained knowledge and competences, thanks to which we can design and manufacture even the most complex lighting systems.

02 / 04 — **Inspiration and design**

We make sure that our products are distinguished not only by the best parameters, but also by unique design. We believe that the space that surrounds us has a real impact on our well-being. We create our products having the above in mind.

03 / 04 — **Innovation and development**

We offer technologically advanced solutions. We constantly invest in the development of our research centre and state-of-the-art production lines. We develop dynamically with the advancement of technology.

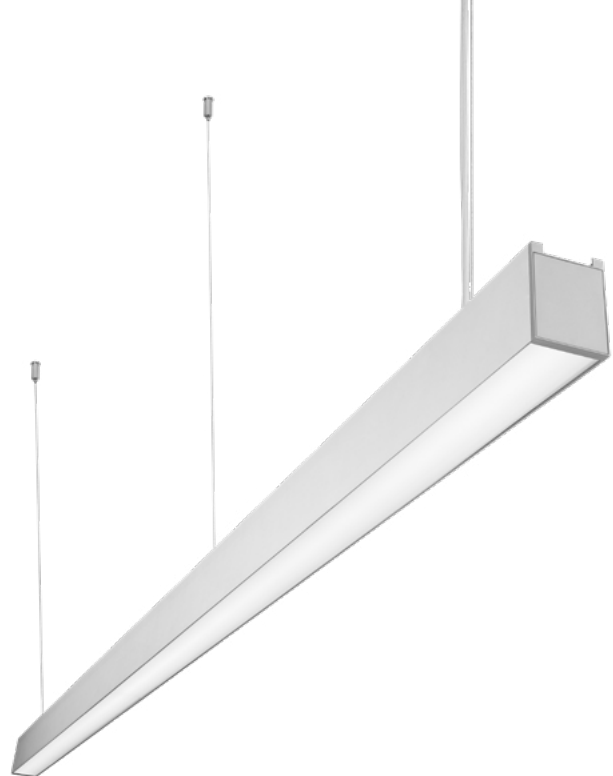
04 / 04 — **Sustainable development**

We have placed environmental management at the heart of our business, implementing a system that minimises any negative impact on the natural environment. We are ISO 14001 certified.

Baris 52 LED

Suspended version





Suspended version

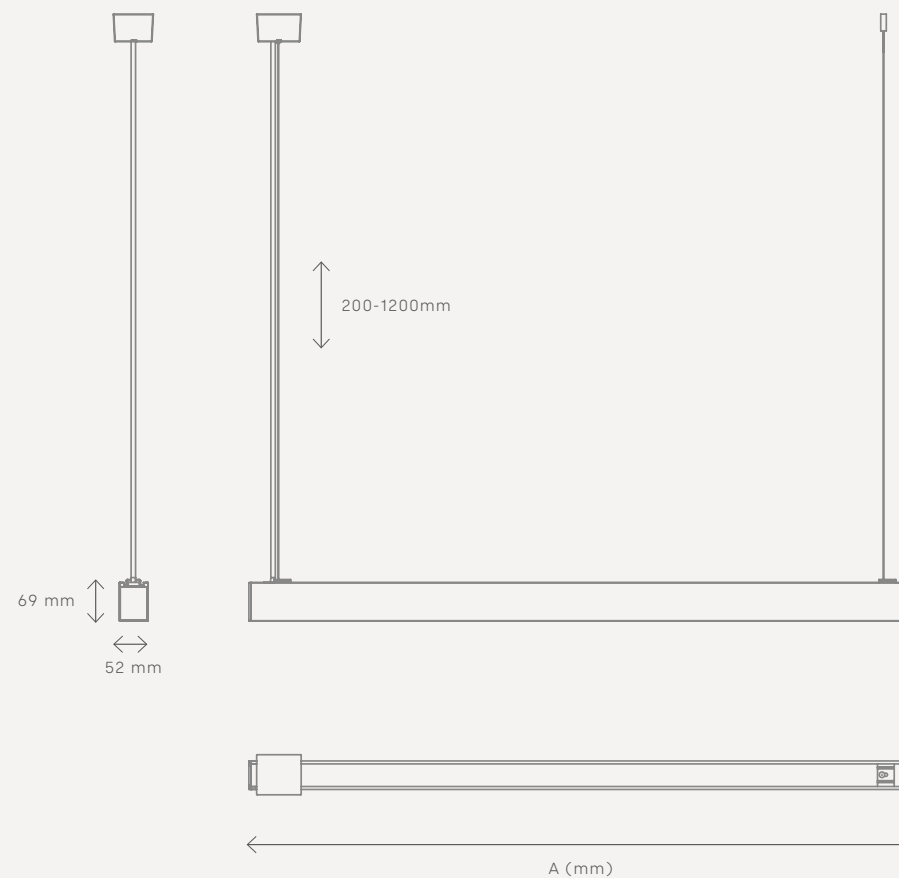
Meet the intelligent and energy-efficient luminaire, which will help you make imaginative lighting arrangements in offices and representative rooms. Its cutting-edge design will allow you to create light lines up to 6 meters long with no need to join the profile and the diffuser. Baris 52 LED family of luminaires is also equipped with a unique suspension system that facilitates the installation of the luminaire and the adjustment of the slings. It will illuminate both elegant, large rooms, as well as public spaces, wide halls and passageways.

- Design developed by our own R&D department.
- Polish production and branded components.
- Body colour: white, black, grey, any RAL colour.
- Diffuser type: OPAL, UGR MAT, PRM.
- Luminous efficacy of up to 129 lm/W.
- Power range from 14 to 84 W.
- The maximum luminous flux is 9600 lm.
- Colour temperature: 3000 K, 4000 K.
- Length of a single A module: 1143 – 5623 mm.
- Versions with DIMM-DALI control available.
- Colour rendering index (Ra) >80, >90.

Baris 52 LED

6 metres

of a light line without visible connections to the diffuser



Baris 52 LED

Surface version





Surface version

Modern, classic design combined with innovative solutions. This is Baris 52 LED – an intelligent, energy-efficient luminaire dedicated to offices and representative rooms. The cutting-edge design of the luminaire allows you to create light lines up to 6 meters long with no need to join the profile and the diffuser. Thanks to cooperation with control systems, it can optimise the level and amount of supplied light. Baris 52 LED luminaires are available in grey, white or black.

- Design developed by our own R&D department.
- Polish production and branded components.
- Body colour: white, black, grey, any RAL colour.
- Diffuser type: OPAL, UGR MAT, PRM.
- Luminous efficacy of up to 129 lm/W.
- Power range from 14 to 84 W.
- The maximum luminous flux is 9600 lm.
- Colour temperature: 3000 K, 4000 K.
- Length of a single A module: 1143 – 5623 mm.
- Versions with DIMM-DALI control available.
- Colour rendering index (Ra) >80, >90.

Baris 52 LED

6 metres

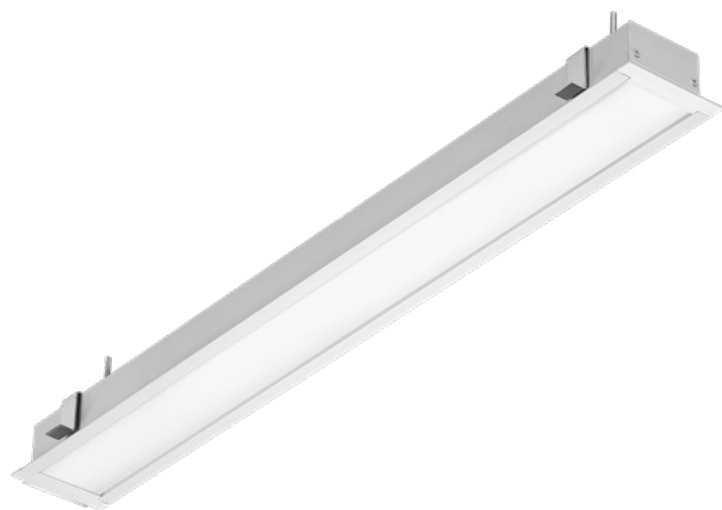
of a light line without visible connections to the diffuser



Baris 52 LED

Recessed version



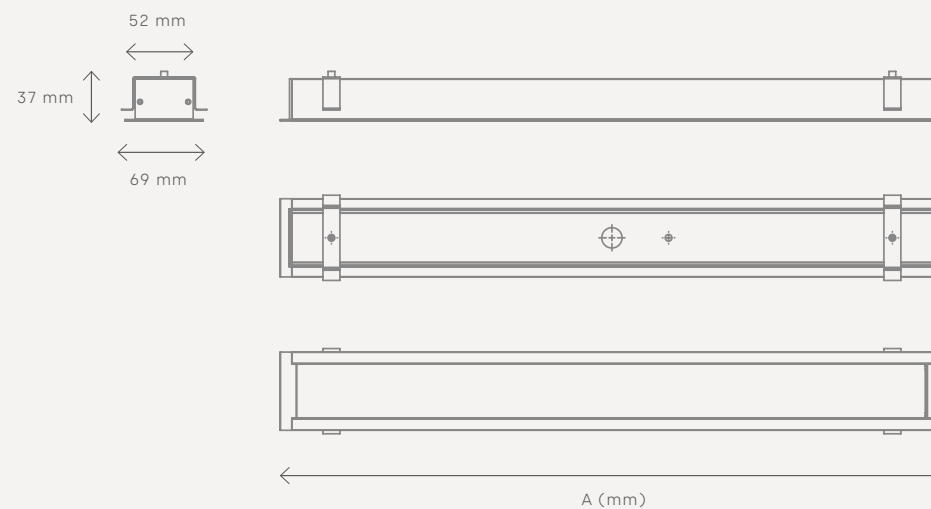


Recessed version

This version of the luminaire is designed for installation in plasterboard ceilings. It is characterised by a well-thought-out design featuring a number of solutions that make the installation easier. Compatibility with control systems, uniform light distribution on the diffuser, reduced glare effect and high IP 44 ingress protection make it suitable for many places, although it is especially dedicated to representative rooms and offices.

- Design developed by our own R&D department.
- Polish production and branded components.
- Body colour: white, black, grey, any RAL colour.
- Diffuser type: OPAL, UGR MAT, PRM.
- Luminous efficacy of up to 107 lm/W.
- Power range from 9 to 64 W.
- The maximum luminous flux is 6900 lm.
- Colour temperature: 4000 K, 3000 K.
- Length of a single A module: 586 – 2265 mm.
- Versions with DIMM-DALI control available.
- Colour rendering index (Ra) >80, >90.
- No glare effect: UGR <19

Baris 52 LED



Baris 52 LED

L / T / X connector system



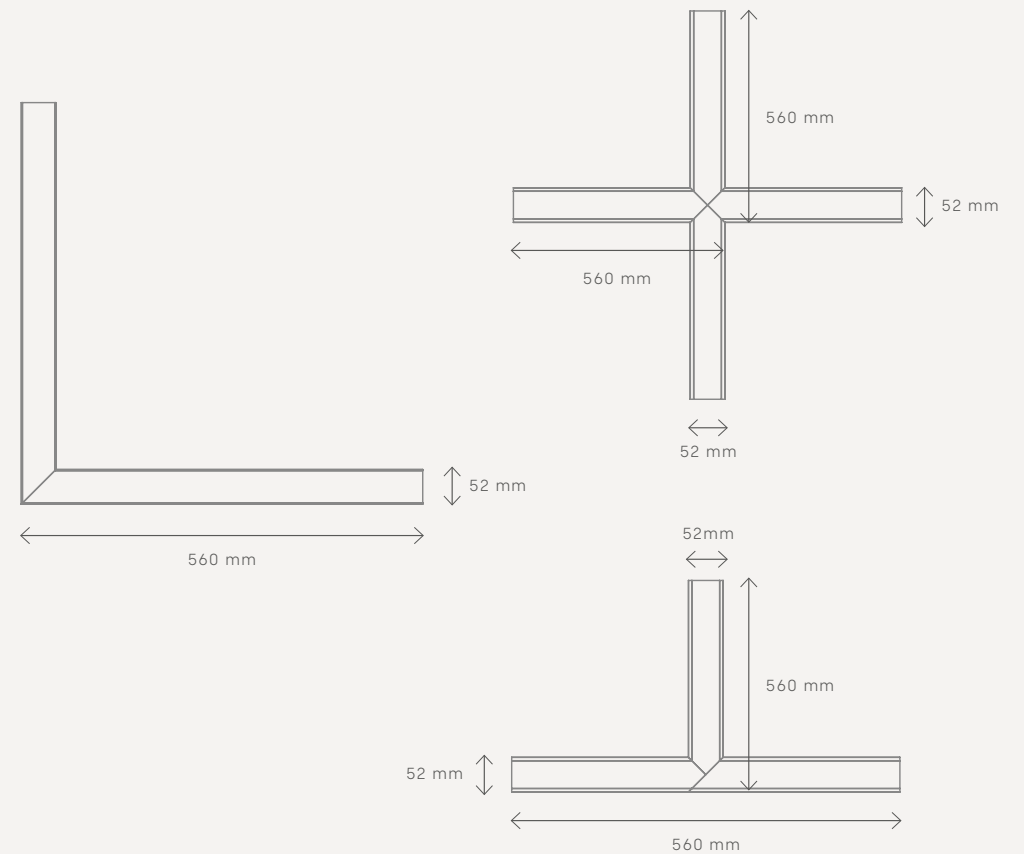


— L / T / X connector system

The innovative design of Baris 52 LED luminaires allows you to create light lines up to 6 meters long with no need to join the profile and the diffuser. The connectors and luminous L, T, X-shaped bends allow you to create virtually unlimited sequences of straight lines, figures and patterns. Let your imagination run wild – let yourself create the most daring and original architectural lighting.

- Design developed by our own R&D department.
- Polish production and branded components.
- Body colour: white, black, grey, any RAL colour.
- Luminous efficacy of up to 126 lm/W.
- Power range from 13 (T) to 17 W (L, X).
- The maximum luminous flux is 2100 lm.
- Colour temperature: 4000 K.
- Versions with DIMM-DALI control available.
- Colour rendering index (Ra)>80, >90.

Baris 52 LED



Baris 40 LED

Surface version



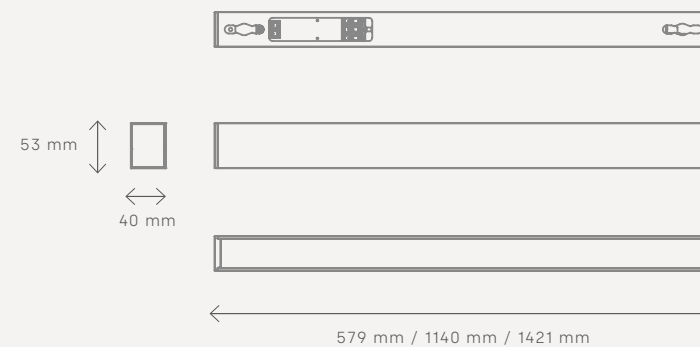


Surface version

The Baris 40 LED luminaire with a slim profile is available in three colours: white, black and grey. It is dedicated to the arrangement of representative and office rooms. The opal cover used in the luminaire ensures uniform light distribution on the diffuser, which has a significant impact on the sense of comfort and well-being. Thanks to the use of the UGR louvre, it was also possible to reduce the so-called glare effect. The DALI control version of the luminaire is ideally suited to offices in modern A+ class buildings.

- Design developed by our own R&D department.
- Polish production and branded components.
- Body colour: white, black, grey, any RAL colour.
- Luminous efficacy of up to 131 lm/W.
- Power range from 16 to 50 W.
- The maximum luminous flux is 5900 lm.
- Colour temperature: 3000 K, 4000 K.
- Diffuser type: OPAL, PRM.
- Versions with DIMM-DALI control available.
- Colour rendering index (Ra)>80.
- Low glare effect: UGR <19

Baris 40 LED



Baris 40 LED

Suspended version



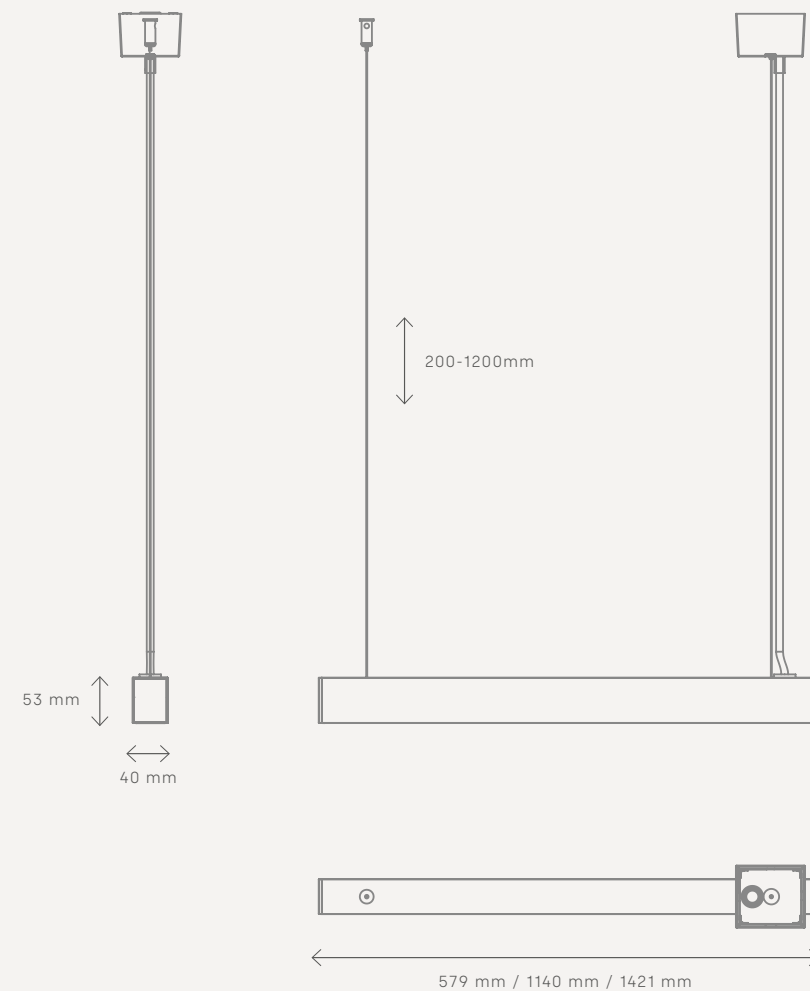


Suspended version

Design and excellent lighting parameters are the main characteristics of the Baris 40 Led family of luminaires. As in the case of the surface-mounted version, the suspended version is distinguished by a slim profile, available in three colours as standard, and the highest aesthetics of workmanship. In addition, this luminaire is equipped with a unique suspension system that facilitates its assembly and the adjustment of slings. All this makes it a perfect match for representative and office rooms.

- Design developed by our own R&D department.
- Polish production and branded components.
- Body colour: white, black, grey, any RAL colour.
- Luminous efficacy of up to 131 lm/W.
- Power range from 16 to 50 W.
- The maximum luminous flux is 5900 lm.
- Colour temperature: 3000K, 4000K.
- Diffuser type: OPAL, PRM.
- Versions with DIMM-DALI control available.
- Colour rendering index (Ra) >80.
- No glare effect: UGR <19.

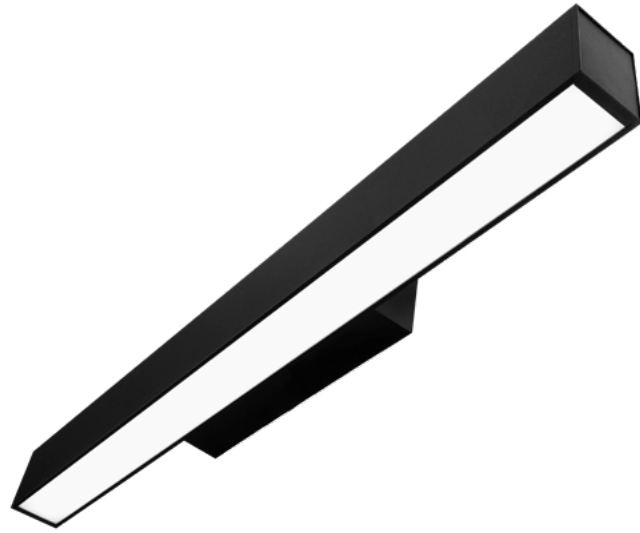
Baris 40 LED



Baris 40 LED

Wall bracket



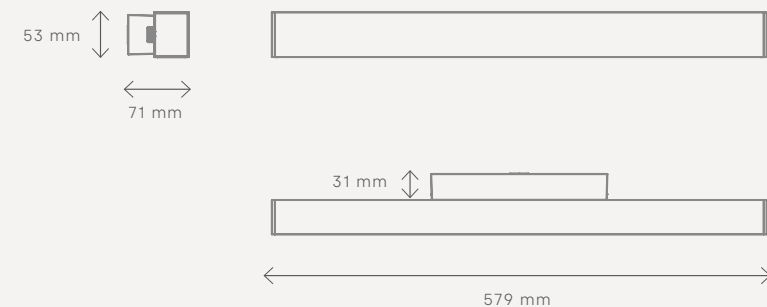


Wall bracket

Design consistency in different rooms of the same building is one of the designer's visions. The Baris 40 line includes a wall lamp that provides discreet, accent lighting of the surface. When creating it, the designers focused on classic design, high quality and aesthetics of workmanship. The luminaire is also suitable for illuminating communication routes, sanitary rooms and bathrooms where higher ingress protection (IP44) is required.

- Design developed by our own R&D department.
- Polish production and branded components.
- Body colour: white, black, grey, any RAL colour.
- Luminous efficacy of up to 103 lm/W.
- Power range from 15 to 16 W.
- The maximum luminous flux is 1700 lm.
- Colour temperature: 3000 K, 4000 K.
- Diffuser type: OPAL, PRM.
- Versions with DIMM-DALI control available.
- Colour rendering index (Ra) >80.

Baris 40 LED



Baris 40 LED UGR

Surface and suspended versions



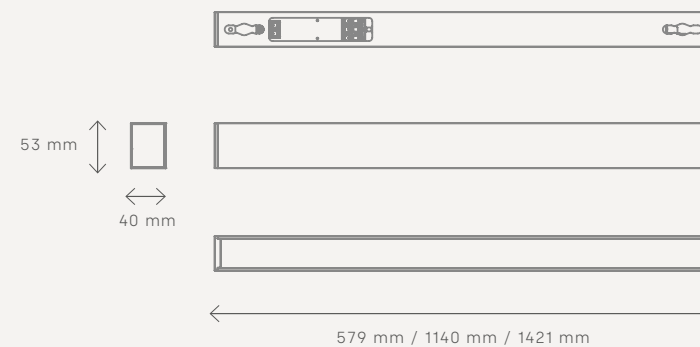


Surface and suspended versions

For the sake of your eyesight and the best working conditions. The Baris 40 LED UGR luminaire has been designed to provide maximum comfort and efficiency to people whose work requires precision and is performed in artificial light. With the UGR (Unified Glare Rating) value below 19, it minimises the glare effect, increasing people's well-being and reducing their fatigue and the number of errors they make.

- Design developed by our own R&D department.
- Polish production and branded components.
- Body colour: white, black, grey, any RAL colour.
- Luminous efficacy of up to 126 lm/W.
- Power range from 19 to 44 W.
- The maximum luminous flux is 5100 lm.
- Colour temperature: 3000 K, 4000 K.
- Diffuser type: PRM (upside-down).
- Mounting: suspended, surface.
- Versions with DIMM-DALI control available.
- Low glare effect: UGR <19

Baris 40 LED UGR





It really matters

We make our products according to the highest environmental standards.

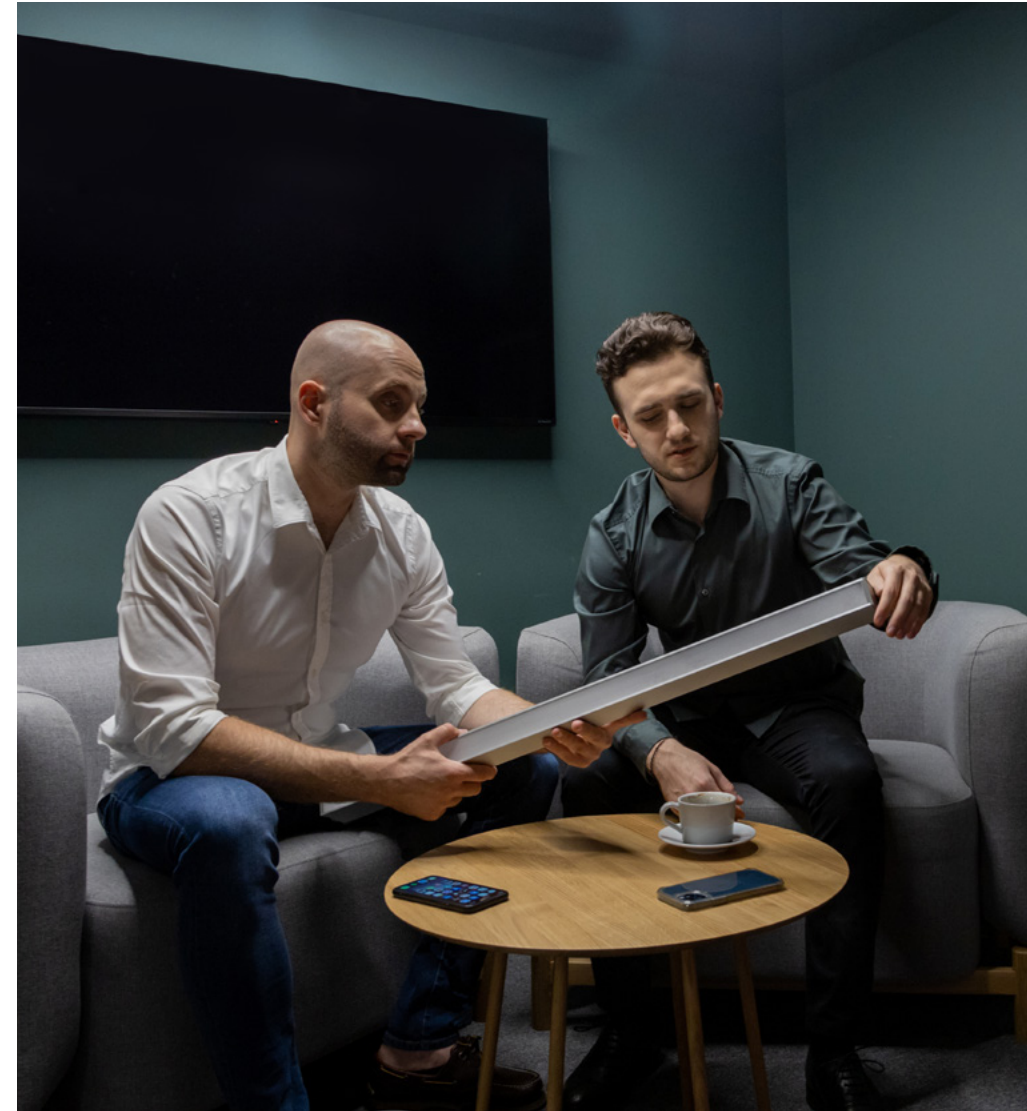


Being aware of the importance of environmental protection behaviours and future generations inspires us to put maximum effort into offering the highest quality, energy-efficient products; and to make sure that the entire process and technology of their production do not have a negative impact on the ecosystem.

Our efforts and their effectiveness have been confirmed by the ISO 14001 certificate. This means that Lena Lighting has successfully implemented an environmental management system. The overall goal of this system is to create conditions for the functioning of the enterprise in order to minimise the negative impact on the natural environment. We have already succeeded, but we are going to continue our journey and invest in technology and knowledge aimed at care for the natural environment.

Since 1989

We create
the light
together





Lena Lighting S.A.
ul. Kórnicka 52, 63-000 Środa Wielkopolska, POLAND
tel. +48 (61) 28 60 300, e-mail: hello@lenalighting.pl

www.lenalighting.com