

Product Description

HIR23/D2 stand-alone PIR & daylight sensors have been certified as DALI-2 input device with main purpose to incorporate into DALI-2 application controller/master. It is ideal for typical indoor applications such as office, classroom, healthcare and other commercial areas.



HIR23/D2/W

Hardware Features

-  2-in-1: PIR motion sensor + Daylight sensor
-  IP20/IP65 ceiling/surface mount box available as accessory
-  Various PIR lens and blind inserts options
-  User-friendly design for installation
-  High bay version available (up to 1.5m in height)
-  5-year warranty
-  Compliant to standard IEC62386_101, 103, 303, 304

Technical Specifications

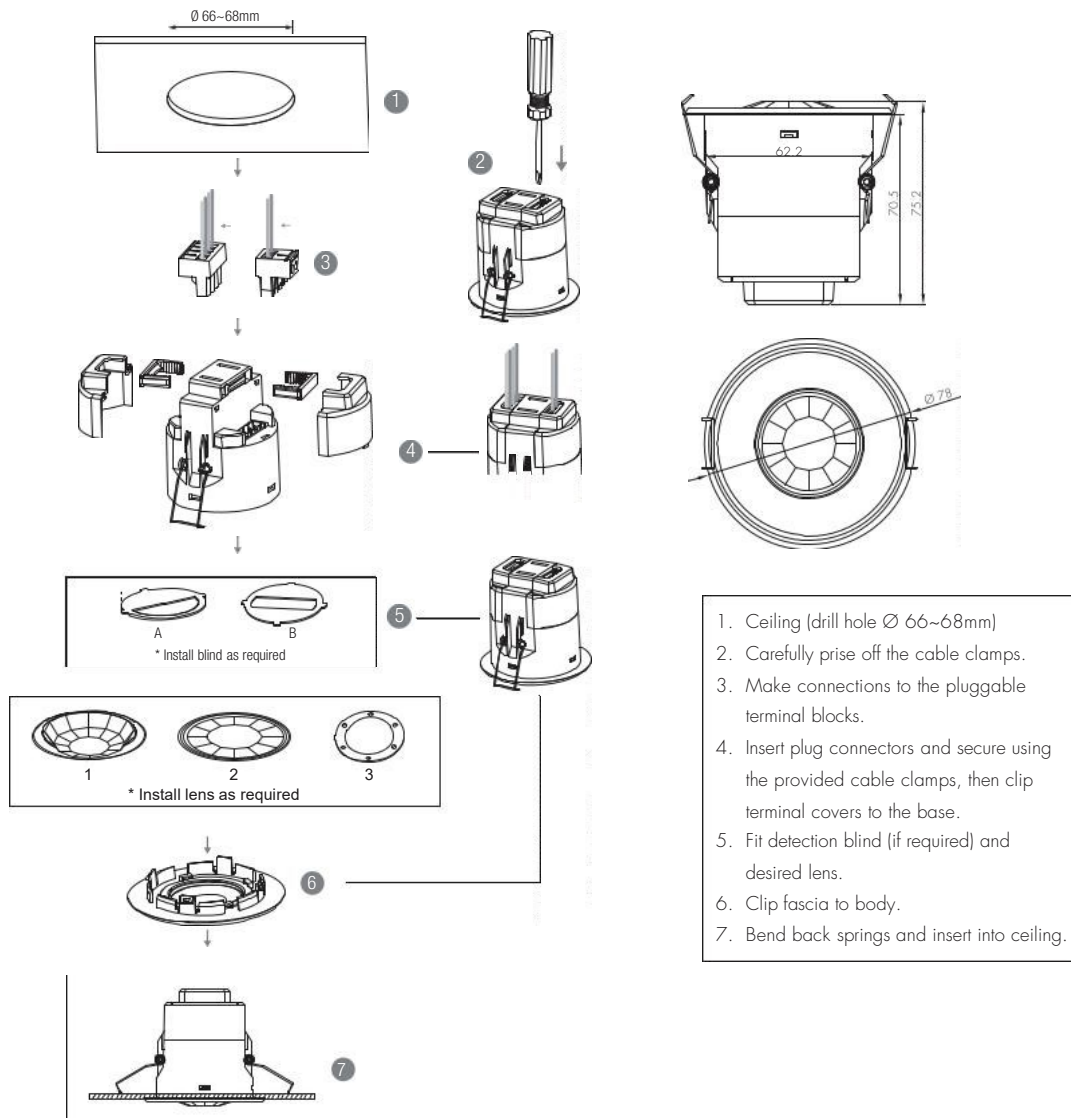
Sensor Data	
Sensor Model	PIR detection
HIR23/D2/W	Installation Height : 6m Detection Range(Ø) : 18m
Lux reading range	< 1000 lux
Detection angle	360°

Input & Output Characteristics	
Operating voltage	9.5~22.5VDC
Consumption DALI BUS current	Max. 10 mA(no LED) Max. 12 mA(with LED)
Identify device	Red LED flashes 1.5S
Warming-up	5s

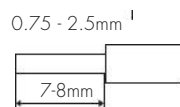
Safety & EMC	
EMC standard (EMC)	EN55015, EN61000, EN61547
DALI	IEC60386-101, 103, 303, 304
RED	EN300328, EN301489-1/-17
Certification	CE, REACH, UKCA, RCM, ROHS compliance

Environment	
Operation temperature	Ta: -20°C ~ +50°C
IP rating	IP20

Mechanical Structure & Dimensions



Wire Preparation



Pluggable screw terminal. It is recommended to make connections to the terminal before fitting to the sensor.

3. HIR23/D2/W (Wide range Low-bay)

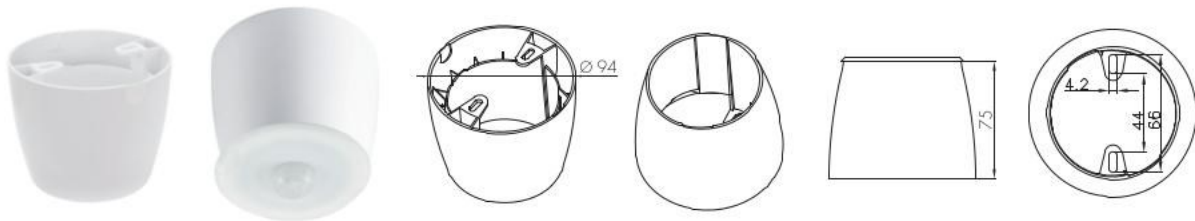


HIR23/D2/W: Low-bay convex lens detection pattern for **single person** @ $T_a = 20^\circ\text{C}$

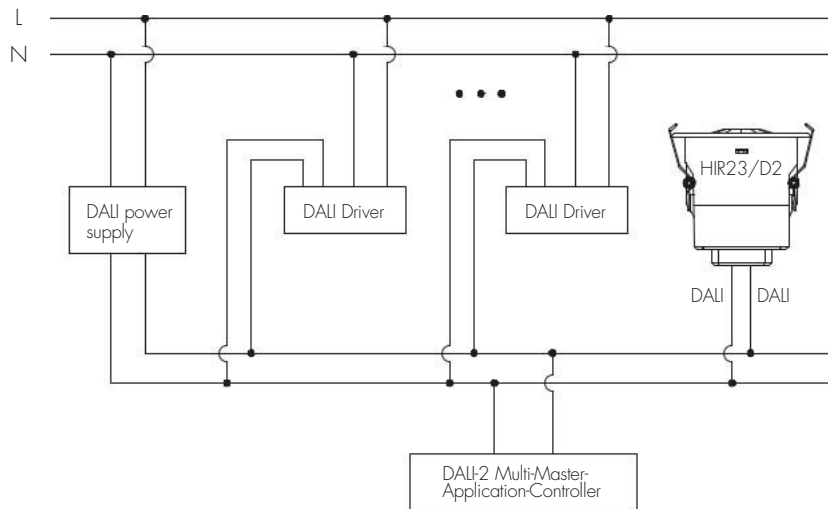
(Recommended ceiling mount installation height **2.5m-6m**)

A: Tangential movement	B: Radial movement	Mount height	Tangential (A)	Radial (B)
		2.5m	max 254m ² (Ø = 18m)	max 28m ² (Ø = 6m)
		3m	max 254m ² (Ø = 18m)	max 28m ² (Ø = 6m)
		4m	max 154m ² (Ø = 14m)	max 28m ² (Ø = 6m)
		5m	max 113m ² (Ø = 12m)	max 28m ² (Ø = 6m)
		6m	max 79m ² (Ø = 10m)	max 13m ² (Ø = 4m)

Optional Accessory --- Ceiling/Surface Mount Box: HA03



Wiring Diagram



Note: HIR23/D2 has been used as DALI-2 input device to only report DALI instance(light sensor instance and motion sensor instance) to DALI-2 application controller, who is the "main brain" to process the data communication between input devices and the control gear and assign different function.

Additional Information / Documents

1. Regarding precautions for PIR Sensors installation and operation, please kindly refer to [www.hytronik.com/download ->knowledge ->PIR Sensors - Precautions for Product Installation and Operation](http://www.hytronik.com/download->knowledge->PIR%20Sensors%20-%20Precautions%20for%20Product%20Installation%20and%20Operation)
2. Data sheet is subject to change without notice. Please always refer to the most recent release on [www.hytronik.com/products/Motion Sensors ->Stand-alone Sensors](http://www.hytronik.com/products/Motion%20Sensors->Stand-alone%20Sensors)
3. Regarding Hytronik standard guarantee policy, please refer to [www.hytronik.com/download ->knowledge ->Hytronik Standard Guarantee Policy](http://www.hytronik.com/download->knowledge->Hytronik%20Standard%20Guarantee%20Policy)