



### Features

- Compliant with DALI and DALI-2
- Suitable for up to 32 devices per DALI line
- Control based on ambient light and motion detection
- Adjustable motion sensitivity and light-level set point
- Multi-master compatible / multiple control devices per line
- Available as surface & recessed mount and as a plug-in module
- 8m model suitable for high ceilings (up to 10 m) and warehouses



### DALI-2

DALI version 2  
compliant device



**Motion detection**  
Detection range 360°  
max. range 8 m



### High ceiling

The 8m is suitable for  
mounting on high ceilings



**Dusk detection**  
Control based on ambient  
light and motion detection



zc-pir-8m

zc-pir-5m

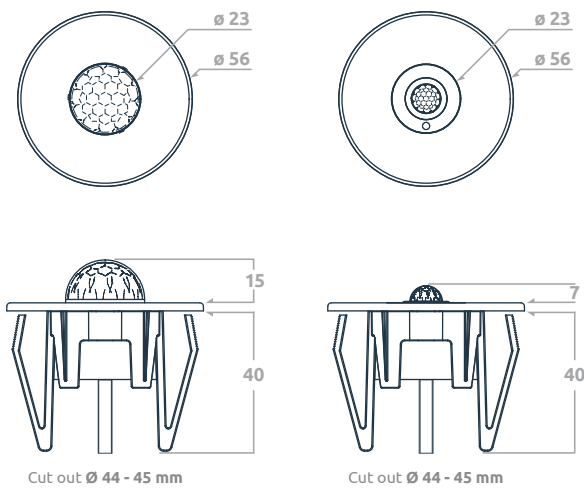
## Product range

Order code	Description
zc-pir-5m	DALI-2 PIR sensor 5 m
zc-pir-8m	DALI-2 PIR sensor 8 m

## Features

- For use with DALI-2 application controller
- Suitable for up to 32 devices per DALI line
- Compliant to IEC 62386-303 and 62386-304
- The 8 m is suitable for high ceilings and warehouses
- Light control based on ambient light and motion detection
- Multi-master compatible / multiple control devices per line
- Available as surface & recessed mount, and as a plug-in module
- Control scenes / groups / actions / events with a zencontrol control system

## Dimensions



## Accessory range

Order code	Description
zc-pir-rs-kit	PIR sensor recessed mount kit
zc-pir-cd-kit	PIR sensor conduit mount kit
zc-pir-sm-kit	PIR sensor surface mount kit

## Specifications

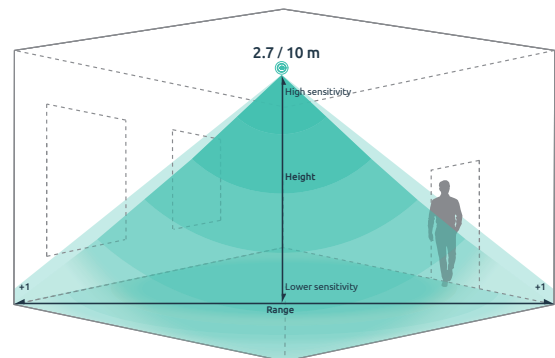
Supply	DALI
Control system	DALI-2
Supply current	8 mA
Lens	Fresnel
Sensors	PIR, ambient light, colour
Wiring	Flylead
Operating temperature	0 to 45°C
Material	PC (body)
Ingress protection	IP20
Compliance standards	IEC 61347-2-11 CISPR 15 EN 55015 IEC 62386-303 IEC 62386-304

## Usage

Ambient light level sensing	Measurements between 0 - 10,000 Lux Set points and trigger levels controlled by DALI application controller
Time-out actions and events	Configuration dependent on DALI application controller

## Detection pattern

Order code	Range $\phi$	Mounting height
zc-pir-5m	5 m	2.7 m
zc-pir-8m	8 m	2.7 - 10 m



## Notice

- The switch must not be connected to any mains. It is powered directly from the DALI line.
- The DALI line is not SELV. It must be treated like LV mains and treated with the same precautions and wiring regulations.