

# Presence detector P46LR, DALI-2, secondary - BMS, 32-37 m, for flush-mounting box, white

353-750021

4 year warranty

This presence detector is a DALI-2 secondary and BMS detector that extends the detection range of a DALI master detector or as part of a BMS system. The detector is specially designed for mounting in a standard flush-mounting box (60 or 79 mm diagonal screw distance). If the detector is used as a secondary detector and connected to a DALI bus controlled by a DALI master detector, it will start communicating with this master detector without further commissioning. If it is connected to the DALI bus of a BMS system, the detector needs to be commissioned with the BMS software. The detector's settings can be modified using the Niko detector tool app and 2-way Bluetooth® communication between a smartphone and the detector or using the BMS software.

Finishing colour: white

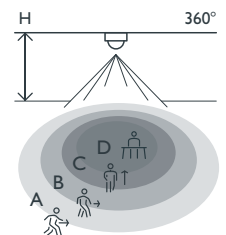
Compatible master detectors: 353-650321, 353-651321, 353-651421, 353-652321, 353-652421, 353-750321, 353-751321, 353-751421, 353-752321, 353-752421, 353-852411

This article is protected by at least one patent (application). For more info on patents, see [www.niko.eu/innovation](http://www.niko.eu/innovation).

- Easy installation thanks to the direct connection to the DALI bus
- Communication with the master or BMS system via the DALI bus
- Power supply via the DALI bus
- Easy mounting in a standard European-flush mounting box
- Quick cabling using screwless and easily accessible plug-in terminals
- User-friendly app for settings (iOS/Android) or BMS software
- 2-way Bluetooth® communication ensures quick modification of settings and live feedback in the app
- Fitted with three PIR segments, each covering 120°
- Pre-configured functions:
  - adjustable PIR sensitivity (4 levels) in 3 x 120°
  - one or more PIR segments can be disabled
  - event log keeps track of recent changes
- Settings and configuration can be locked with a PIN-code



## Detection range



H	A Walking	B Across	C Towards	D Presence
2.5 m	∅ 32 m	∅ 28 m	∅ 10 m	∅ 8 m
3.0 m	∅ 37 m	∅ 30 m	∅ 8 m	∅ 4 m

Measured according to EN/IEC63180



DALI-2



secondary -  
BMS



360°



∅ 37 m from  
a height of  
3 m



2 - 3.5 m



flush-  
mounting  
box

**niko**

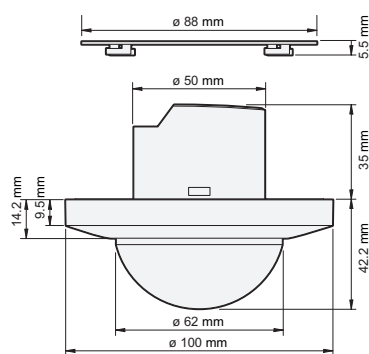
## Technical data

Article number	353-750021
Compatible master detectors	353-650321, 353-651321, 353-651421, 353-652321, 353-652421, 353-750321, 353-751321, 353-751421, 353-752321, 353-752421, 353-852411
Input voltage	via the DALI bus
Detector output	DALI-2
Maximum current consumption	28.1 mA
Nominal current consumption (12 V, 25°C), Bluetooth® enabled	8.1 mA
Nominal current consumption (12 V, 25°C), Bluetooth® disabled	5 mA
Maximum MCB rating	16 A (limited by national installation rules)
Maximum startup time DALI	< 1200 ms
Maximum PIR detection startup time	1 min 10 s
Light intensity range	0 lux – 10360 lux
Detection angle	360°
Detection range (PIR)	ø 37 m from a height of 3 m
Ambient temperature	-25 – +40 °C
Mounting method	flush-mounting box
Mounting height	2 – 3.5 m
Colour	white (approximately RAL 9010)
Dimensions visible (HxWxD)	100 x 100 x 42.2 mm
Dimensions (HxWxD)	100 x 100 x 77.2 mm
Maximum range Bluetooth® (free field, depending on the device)	50 m
Operating frequency	2.4 GHz
Maximum radio frequency power	-2 dBm
Protection degree	IP20
Impact resistance	IK04
Modification of settings	Niko detector tool app (iOS-Android) and 2-way Bluetooth® communication - BMS software
Halogen-free	yes
Marking	CE

## Accessories

353-999879	Lens cover for P4XLR, M4XLR and M4XHC detectors transparent (5 pieces)
353-991992	Deco ring for flush-mounted P4XLR and M4XLR detectors, black

## Dimensions



## Wiring diagram

