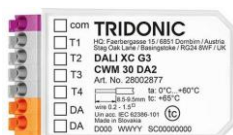


**IOT0125 Input Unit MINI DALI-2 TRI XC G3 (28002877) IoT**

DALI-2 control module with switch inputs

**Product description**

- \_ DALI-2 input controller
- \_ Compatible with DALI-2 certified Application Controller
- \_ Suitable only for DALI-2 certified or compatible lighting control systems, not compatible with Tridonic's comfortDIM system
- \_ 4 independent inputs enabling connection of floating contact, standard momentary switches
- \_ Multiple DALI XCs possible on the DALI-2 line
- \_ Power supply via DALI-2 line
- \_ Connection wires according to the terminal colours with 25 cm length included
- \_ 5 years guarantee (conditions at <https://www.tridonic.com/manufacture-guarantee-conditions>)

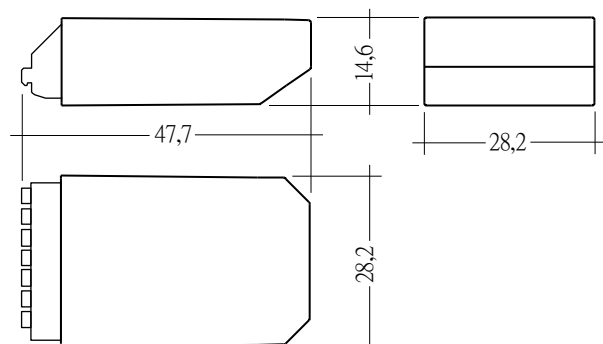
**Website**

<http://www.tridonic.com/28002877>



**IOT0125 Input Unit MINI DALI-2 TRI XC G3 (28002877) IoT**

DALI-2 control module with switch inputs

**Ordering data**

| Type                  | Article number | Packaging, carton | Weight per pc. |
|-----------------------|----------------|-------------------|----------------|
| DALI XC G3 CWM 30 DA2 | 28002877       | 60 pc(s).         | 0.087 kg       |

**Technical data**

|   |                                       |
|---|---------------------------------------|
| Supply via  | DALI-2                                |
| Supply voltage <sup>1</sup>   | 9,5 – 22,5 V                          |
| Current draw <sup>2</sup>   | max. 6 mA                             |
| Input   | 4 momentary-action switches or relays |
| Ambient temperature ta  | 0 ... +60 °C                          |
| tc point  | 65 °C                                 |
| Storage temperature ts  | -25 ... +60 °C                        |
| Humidity  | 20 ... 90 % not condensed             |
| Starting time   | ≤ 6 s                                 |
| Type of protection  | IP20                                  |
| Mounting  | Mounting box 60 x 61 (ø x d)          |
| Housing material  | Polycarbonate                         |
| Housing colour  | Light grey, similar to RAL 7035       |
| Dimensions L x W x H  | 47.7 x 28.2 x 14.6 mm                 |
| Lifetime  | up to 50,000 h                        |
| Guarantee (conditions at <a href="http://www.tridonic.com">www.tridonic.com</a> ) | 5 Year(s)                             |

**Approval marks****Standards**

EN 61347-1, EN 55015, EN 61347-2-11, EN 61547, EN 62386-101, EN 62386-103, EN 62386-301

<sup>1</sup> Uin acc. IEC 62386-101.

<sup>2</sup> Products produced before 9th May 2022 max. 10 mA.

## 1. Standards

EN 61347-1  
EN 55015  
EN 61347-2-11  
EN 61547  
EN 62386-101  
EN 62386-103  
EN 62386-301  
EN 62386-332

### 1. DALI note



Device is developed according to DALI Standard EN 62386-101 Ed.2, also known as DALI-2.

To be able to use the device in such installation, an application controller is necessary.

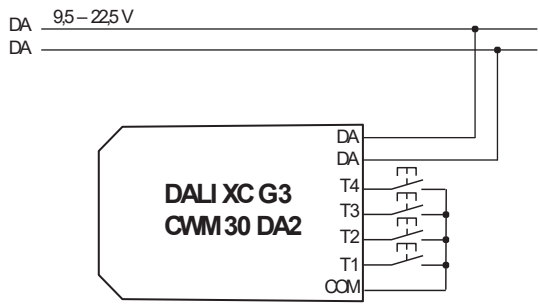
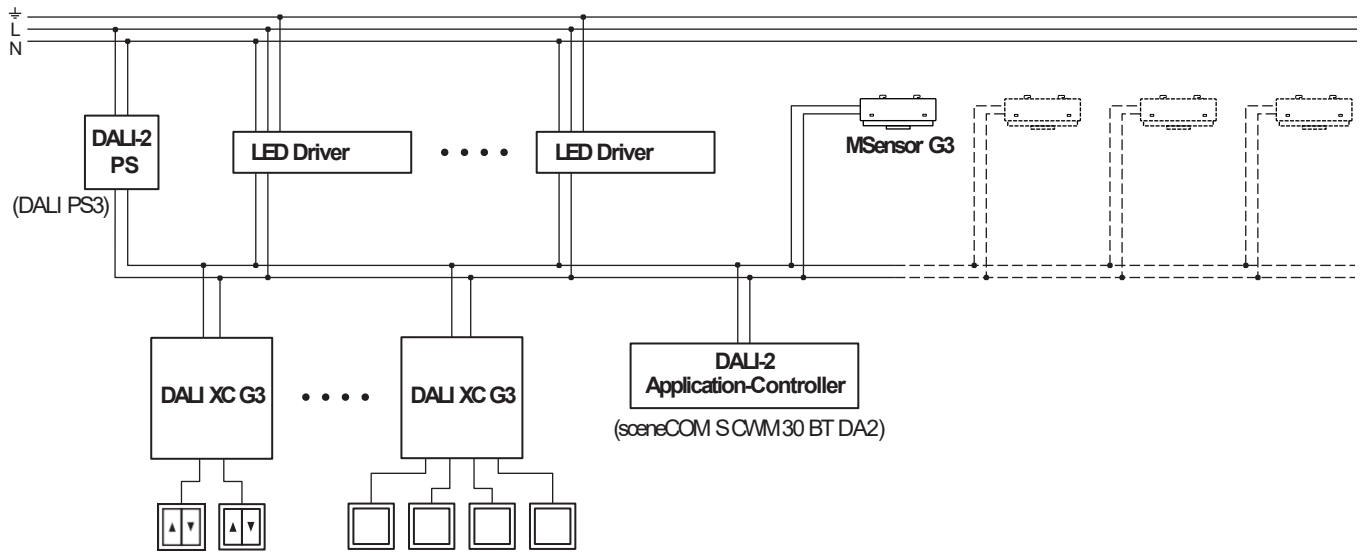
### 2. Glow wire test

according to EN 61347-2-11 passed for temperatures up to 850°C.

## 2. Installation

- Device can be inserted into the mounting box for the momentary switch.
- Device must not be connected to the mains. It is supplied directly via the DALI-2 signal line.
- The momentary switches are connected directly to the device (potential free contacts) and must not be connected to the mains.
- DALI-2 signals are not SELV. Therefore the same procedures should be applied as working with mains voltage.
- Only one momentary switch each device output.
- Multiple devices can be used on the same DALI-2 network.

2.1 Connection diagrams



4. Miscellaneous

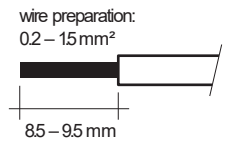
4.1 Disposal



According to the WEEE directive return old equipment at appropriate collection facilities.

2.2 Wiring type and cross section

For wiring use stranded wire with ferrules or solid wire from 0.2 to 1.5mm<sup>2</sup>.  
 Maximum cable length between momentary switch and device is 50 cm.  
 Connecting wires are supplied inside the package.



2.3 Terminals

Orange = DALI D1 and D2  
 Grey = Push button inputs T1 – T4  
 Purple = Push button common

2.4 Terminal and instance description

Device supports the full push button functionality according to IEC62386-301. The device has 4 button terminals. These correspond to the 4 implemented DALI 301 instances:

| Terminal | Instance nr. |
|----------|--------------|
| T1       | 0            |
| T2       | 1            |
| T3       | 2            |
| T4       | 3            |