

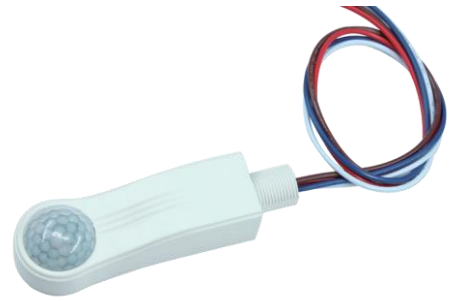
## DALI PIR Motion Sensor with Bluetooth 5.0 SIG Mesh

**WSE0015** Czujnik PIR BT DALI BT HB HYT DALI  
HCD049/BT IoT



### Product Description

HCD049/BT is a Bluetooth DALI high-bay PIR motion sensor, with capability of up to 15m installation height. HCD049/BT has a daylight sensor built-in, and is specifically designed for mounting onto a batten style luminaire. It is also designed for professional lighting manufacturers who would like to incorporate wireless control into their luminaires. HCD049/BT is suitable for any typical indoor applications such as office, classroom, car park, warehouse and other commercial/industrial areas. With Bluetooth wireless mesh networking, it makes communication much easier without any hardwiring, which eventually adds values to luminaires and saves costs for projects. Meanwhile, simple device setup and commissioning can be done via Lena Lighting Clue app.



**TYPE D**

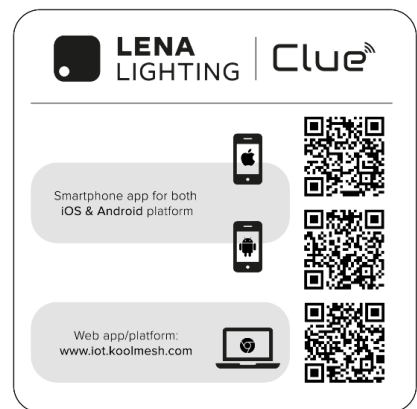
### App Features

- Quick setup mode & advanced setup mode
- Web app/platform for project deployment & data analysis
- Lena Lighting Clue app on iPad for on-site configuration
- Floorplan feature to simplify project planning
- One-key device replacement
- Device social relations check
- Staircase function (primary & secondary)
- Remote control via gateway support HBGW01
- Heat map
- Dynamic daylight harvest auto-adaptation
- Grouping luminaires via mesh network
- Scenes
- Dusk/Dawn photocell (Twilight function)
- Tri-level control
- Daylight harvest
- Circadian rhythm (Human centric lighting)
- Detailed motion sensor settings
- Schedule
- Astro timer (sunrise and sunset)
- Power-on status (memory against power loss)
- Offline commissioning
- Bulk commissioning (copy and paste settings)
- Different permission levels via authority management
- Network sharing via QR code or keycode

- Compatible with EnOcean BLE switches
- Interoperability with Hytronik Bluetooth product portfolio
- Internet-of-Things (IoT) featured
- Device firmware update over-the-air (OTA)
- Continuous development in progress...

### Hardware Features

- 24mA DALI Broadcast output
- IP65
- Fixing washers accessory
- High-bay (up to 15m height)
- 5-year warranty



**EnOcean**  
Self-powered IoT



Fully support EnOcean self-powered switch  
module PTM215B (HBES01/W & HBES01/B)

## Technical Specifications

Bluetooth Transceiver	
Operation frequency	2.4 GHz -2.483GHz
Transmission power	4 dBm
Range (Typical indoor)	10~30m
Protocol	Bluetooth 5.0 SIG Mesh

Input & Output Characteristics	
Operating voltage	220 ~ 240VAC50/60Hz
Stand-by power	0.5 W
Output	I guaranteed: 24mA
	I max: 30mA
	U rated: 16VDC
Warming-up	20s
Sensitivity	10% / 30% / 50% / 75% / 100

Environment	
Operation temperature	Ta: -20°C ~ +50°C
IP rating	IP65

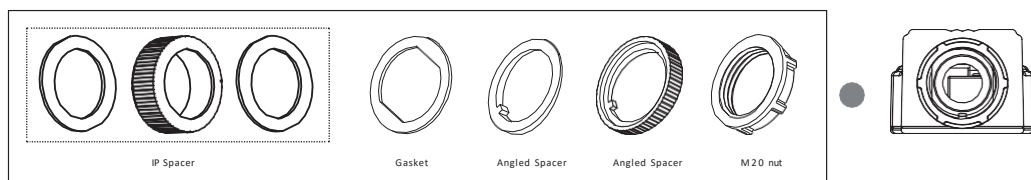
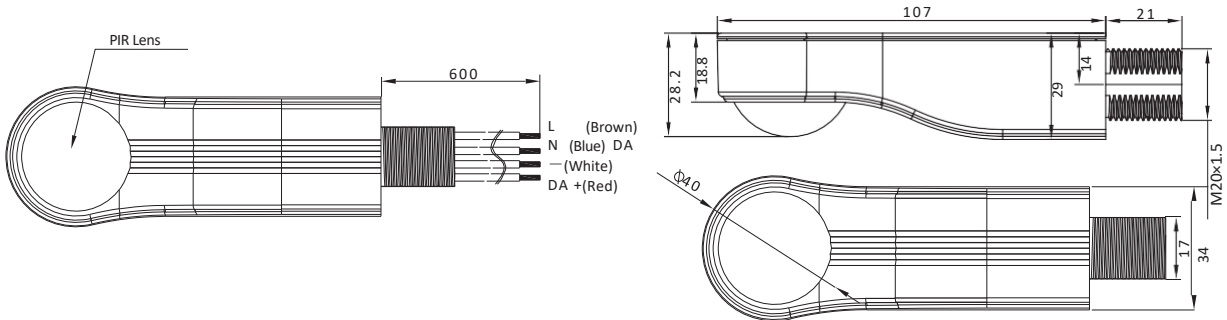
Sensor Data	
Sensor principle	PIR detection
Detection range*	Max installation height: 15m (forklift)
	12m (single person)
	Max detection range: 16m (diameter)
Detection angle	360°

\* The detection range is heavily influenced by sensor placement (angle) and different walking paces. It may be reduced under certain conditions.

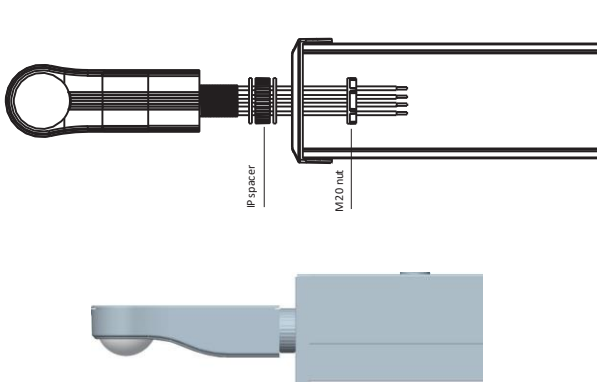
Safety & EMC	
EMC standard (EMC)	EN55015, EN61547
	EN61000-3-2/-3-3
Safety standard (LVD)	EN61347-1, EN61347-2-11
RED	EN300328, EN301489-1
	EN301489-17
Certification	ENEC, CE, EMC, LVD, RCM

## Mechanical Structure & Dimensions

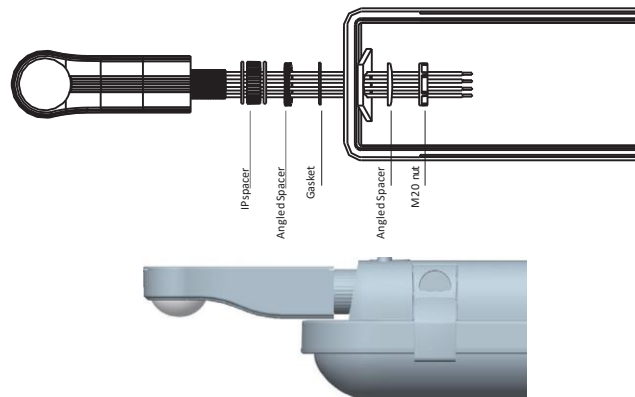
(unit:mm)



Typical Installation 1

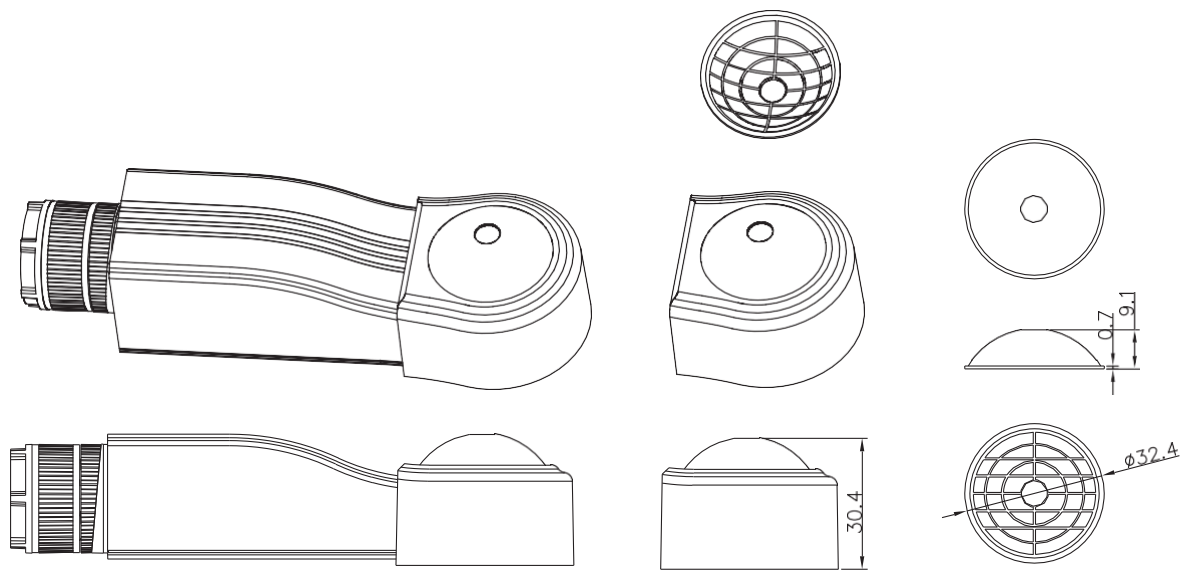


Typical Installation 2

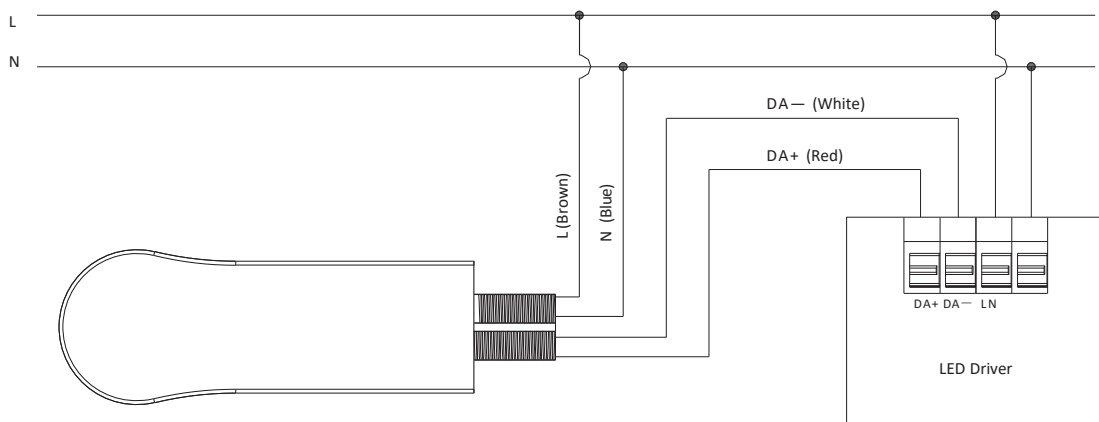


## Shielding Accessory

For the application of limited coverage areas (hallways), the line pattern of the shielding accessory can be freely removed by cutting to achieve a different range of shielding induction, for example, rectangular detection and semi-sphere detection. The portable design also provides an easy installation, which only needs to buckle the shielding accessory onto the lens.



## Wiring Diagram



1. 200 metres (total) max. for 1mm<sup>2</sup> CSA (Ta= 50°C)
2. 300 metres (total) max. for 1.5mm<sup>2</sup> CSA (Ta= 50°C)

## Placement Guide and Typical Range

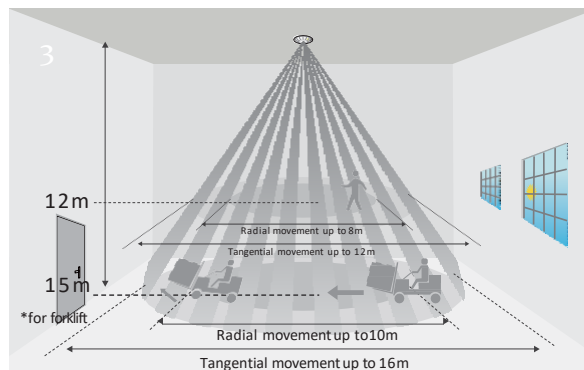
### Smart Phone to Device Range



The smart device with the App installed will have a typical range of 10m, but varies from device to device. During commissioning, the installer will need to be in range of the devices when searching for devices to add to the network.

Once the devices have been added to the network via the App, the devices will start communicating within the wireless mesh. This means that once the network is complete, all devices are accessible from the smart device when in a 20m range of a single point.

## Detection Pattern



\*The detection patterns are based upon 5km/h movement speed.

For more information, please contact [iot@lenalighting.pl](mailto:iot@lenalighting.pl)