

IP65 DALI-2 PIR Motion Sensor (High-bay)

WSEL381 Czujnik PIR RC HYT DALI IP65 HCD049 IoT
HCD049

LENA
LIGHTING



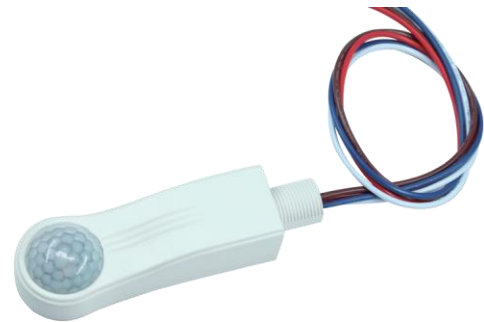
IP65

Product Description

HCD049 is a DALI-2 high-bay PIR motion sensor, with capability of up to 15m installation height. HCD049 has a daylight sensor built-in, and is specifically designed for mounting onto a batten style luminaire. All sensor parameters can be programmed through remote controller HRC-11.

Features

- DALI-2 certified
- 30mA DALI Broadcast output
- Daylight Harvest
- IP65
- Fixing washers accessory
- High-bay (up to 15m height)
- Remote controllable
- 5-year warranty, designed for long lifetime up to 50,000 hours



Technical Specifications

Input Characteristics	
Operating voltage	220 ~ 240VAC 50/60Hz
Stand-by power	<0.5 W
Output	I guaranteed: 30mA
	I max: 40mA
	U rated: 15VDC
Warming-up	30s
Sensitivity	10% / 30% / 50% / 75% / 100

Safety and EMC	
EMC standard (EMC)	EN55015, EN61547 EN61000-3-21-3-3
Safety standard (LVD)	EN61347-1, EN61347-2-11
Certification	ENEC, CE, EMC, LVD, RCM

Sensor Data	
Sensor principle	PIR detection
Detection range*	Max installation height: 12m Max detection range: 10m
Detection angle	360°

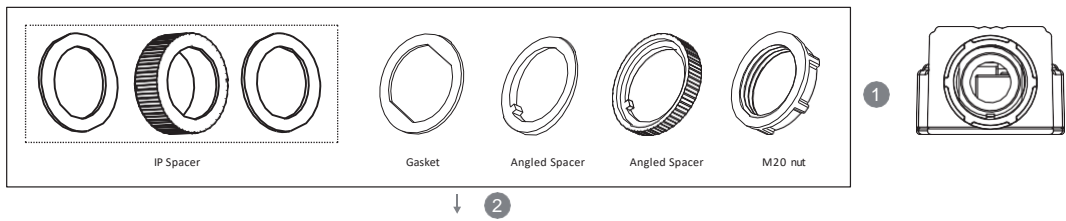
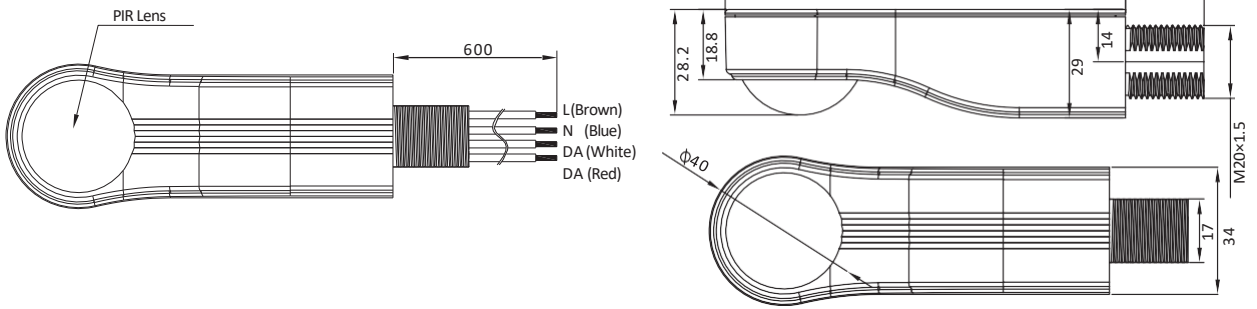
* The detection range is heavily influenced by sensor placement (angle) and different walking paces. It may be reduced under certain conditions.

Environment	
Operation temperature*	Ta: -20°C ~ +50°C
Storage temperature	-30°C ~ +80°C
Relative humidity	0 ~ 90%
IP rating	IP65
Insulation	Class II

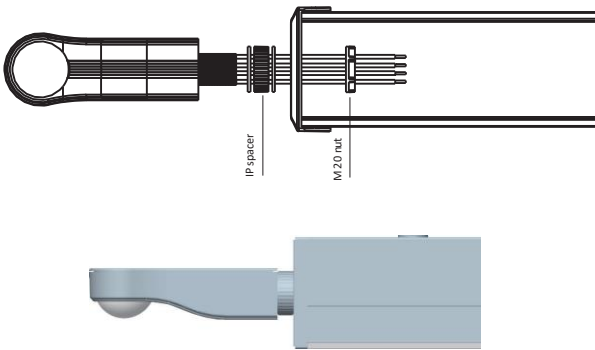
* When used in -35°C ~ -20°C environment, the sensor still functions but the detection range & life-span would be compromised. The optimal Ta would be -20°C ~ +50°C and we apply 5-year guarantee for such usage condition.

Mechanical Structure & Dimensions

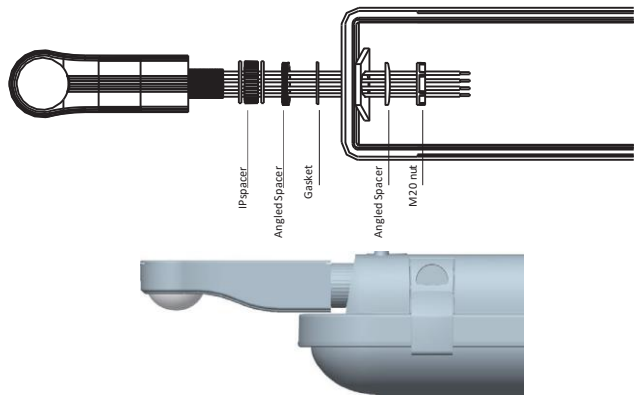
(unit:mm)



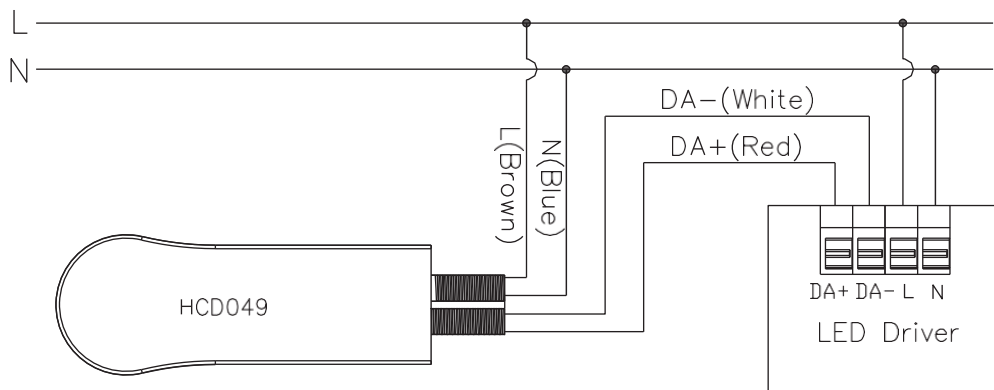
Typical Installation 1



Typical Installation 2



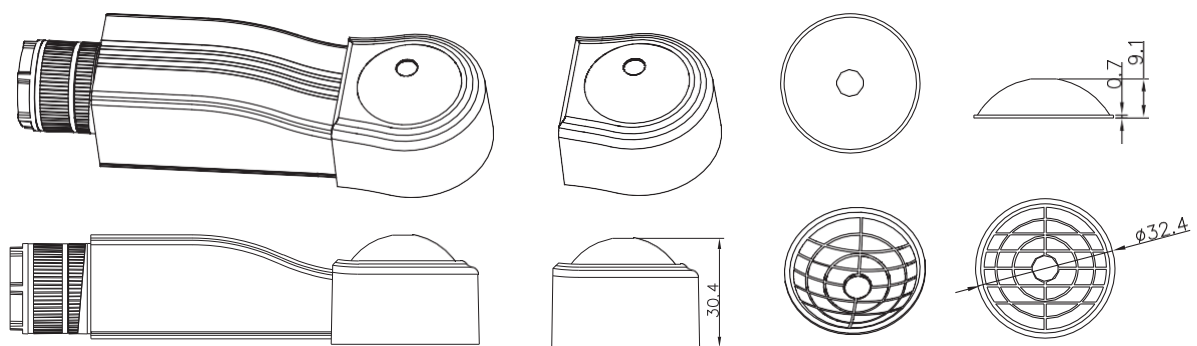
Wiring Diagram



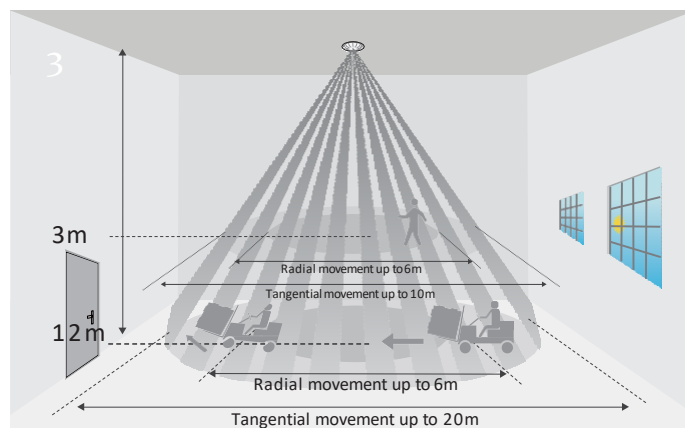
1. 200 metres (total) max. for 1mm² CSA (Ta = 50 °C)
2. 300 metres (total) max. for 1.5mm² CSA (Ta = 50 °C)

Shielding Accessory

For the application of limited coverage areas (hallways), the line pattern of the shielding accessory can be freely removed by cutting to achieve a different range of shielding induction, for example, rectangular detection and semi-sphere detection. The portable design also provides an easy installation, which only needs to buckle the shielding accessory onto the lens.

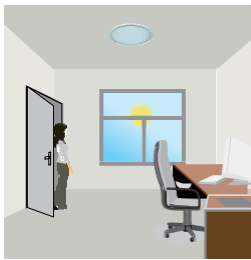


Detection Pattern

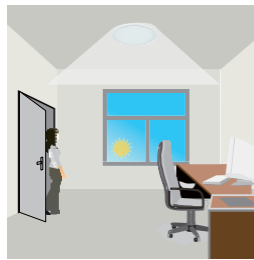


*The detection patterns are based upon 5km/h movement speed.

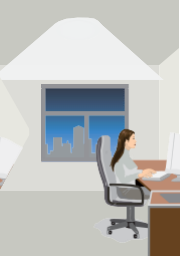
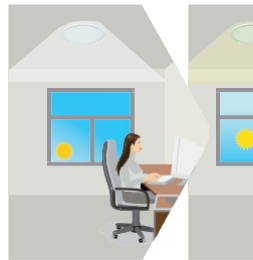
Daylight Harvest



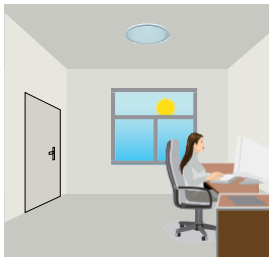
Light will not switch on when natural light is sufficient, even there is motion detected.



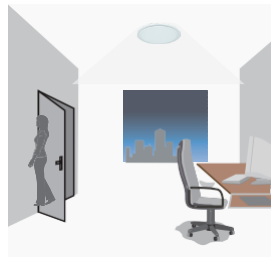
The light switches on automatically with presence when natural light is insufficient.



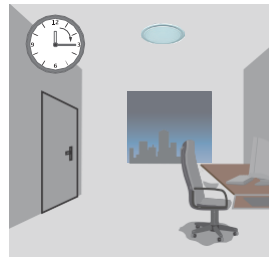
The light turns on at full or dims to maintain the lux level. The light output regulates according to the level of natural light available.



The light switches off when the ambient natural light is sufficient.



The light dims to stand-by period after hold-time and stays on selected minimum dimming level.



The light switches off completely after the stand-by period.

For more information, contact iot@lenalighting.pl